

**Features:**

- Low Ground Pressure When Fully Loaded
- More Economical To Run Versus Reach Stackers
- Easy to Service
- Reduced Energy Consumption
- Lighter Weight Versus Reach Stackers
- Narrow Aisles For Maximum Storage
- Rough Terrain & Ramp Friendly
- Works On Compacted Stone, Bitumen And Light Concrete
- Exceptional 3-Wheel Manoeuvrability Circle
- No Brake Maintenance
- Improves Productivity



▲ Ergonomically designed /driver friendly cab



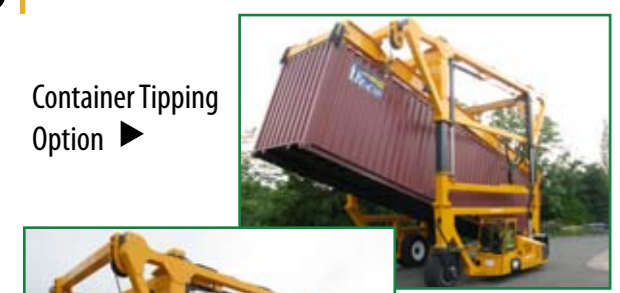
▲ Large Tyres for Low Ground Pressure



▲ Option: Front Opening cab

**Options:**

- Can Be Customised To Handle Non-Iso Containers
- Customised Attachments Available
- Stack 2 High / 3 High
- Automatic Container Spreader
- Air Conditioning
- Weighing System
- 2 Speed Drive
- 3 Wheel Drive



◀ Same Unit can lift 20', 30', 40', 45' Containers



▲ Engineered for ease of transport by trailer or container

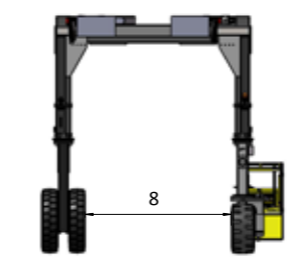
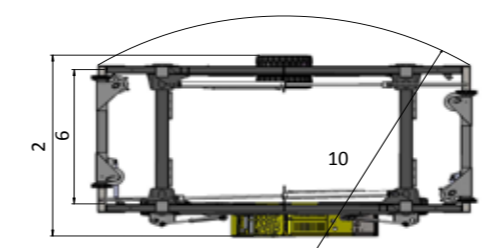
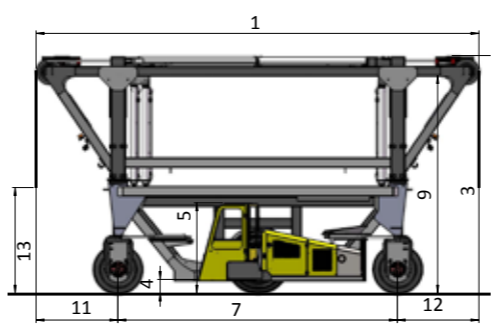
**COMBI-SC SPECIFICATIONS**

Patent Pending- International Application No. PCT/EP2010/051971



STANDARD BUILD *CUSTOMISATION AVAILABLE		Metric		Imperial	
		SC3	SC3T	SC3	SC3T
REF	DESCRIPTION	Trailer to Ground	Telescopic 2 High Option	Trailer to Ground	Telescopic 2 High Option
1	Overall Length	8570mm		338"	
2	Overall Width *	4920mm		194"	
3	Overall Height *	5165mm	4925mm - 6725mm	203"	194"-265"
4	Ground Clearance Under Cab	275mm		11"	
5	Height Over Cab	2300mm		91"	
6	Track Front	3750mm		148"	
7	Wheelbase	5775mm		227"	
8	Width Load Area	3000mm		118"	
9	Height Load Area *	4600mm	4360mm - 6160mm	181"	172" - 243"
10	Minimum Outside Radius	7250 mm		285"	
11	Overhang Front	1400 mm		55"	
12	Overhang Back	1400 mm		55"	
13	Lift Stroke *	2200mm		87"	
A	Capacity	35,000kg		77,000lbs	
B	Unladen Weight	16,950 kg	19,200 kg	37,370 lbs.	42,300 lbs.
C	Gradeability	5% Fully Loaded			
D	Maximum Ground Speed	10 km/h		6 mph	
E	John Deere 4045 Diesel	93kW		125 hp	
F	Electric's	12 Volt			
G	Tyres	4 x Super Elastic Puncture Proof Tyres			
H	Standard Colour	Yellow & Grey			
I	Suspension Seat	KAB Model 116			

- 2-Wheel Hydrostatic Drive
- 2-Wheel Steer
- Capable Of Travelling Fully Loaded
- Front And Rear Independent Sideshift



**COMBILIFT**  
CUSTOMISED HANDLING SOLUTIONS

**COMBILIFT STRADDLE CARRIER**



The Cost Effective Solution For Handling Containers And Oversized Loads



**Lifting Capacity:**  
20,000 kg - 80,000 kg  
44,000 lbs. -180,000 lbs.

**COMBILIFT HQ:**  
Co. Monaghan, Ireland  
Tel: + 353 47 80500  
Fax: + 353 47 80501

**COMBILIFT USA:**  
303 Concord Street,  
Greensboro, NC 27406  
Tel: 1877 266 2456

Distributed by:  
**TWS**  
TARGONCA  
ALAPÍTVÁ 1990

**COMBILIFT UK**  
07870 976 758

**COMBILIFT AUSTRALIA**  
1300 552 422

**COMBILIFT GERMANY**  
0800 000 5764

Travels In/Out Of Warehouse with Ease



**Trailer to Ground**



- 2 Minute Off-Loading From Trailer To Ground
- Excellent 360° Visibility From Driver Position

- Eliminates Trailers Waiting To Be Loaded And Unloaded
- Safer Stuffing / Destuffing At Ground Level

**Automatic Top-Lift Spreader (Option)**



- Top-Lift spreader is used to grip and pick up the container by means of four twist locks
- Can be adjusted to handle 20ft and 40ft containers

- Controlled from within the cab
- Quicker operation
- Enables throughput of 20 containers an hour

**Oversized Loads**



Can be customised to handle any oversized load

**Telescopic Function**



The retracted telescopic frame allows entry under low doorways, while the extended telescopic frame allows double stacking.

**Load Bearing Platform**

