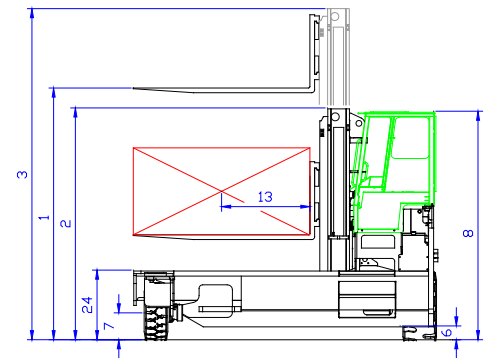
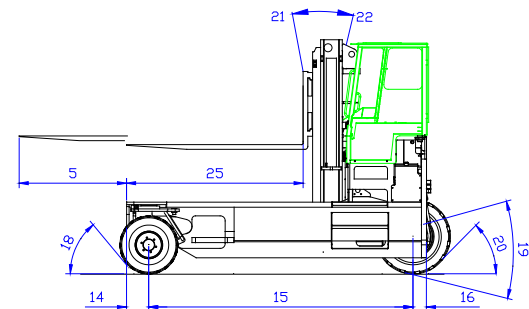
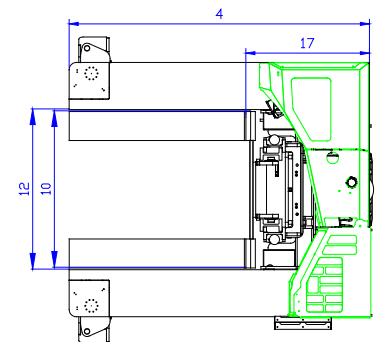


# COMBILIFT – MODEL C14000 (C11512JD) -SPECIFICATION

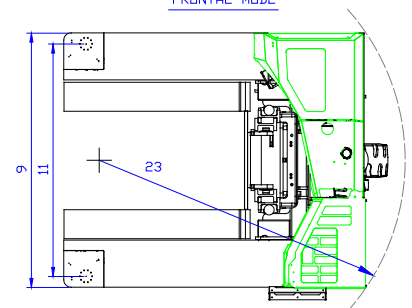
Ref.	Description	Standard
1a	Max. Lift Height	3100mm
1b	Freelift Height	0mm
2	Height Mast Closed	3390mm
3	Max. (Mast raised)	5180mm
4	Overall Length	4160mm
5	Mast Travel	2510mm
6	Ground Clearance Under Mast	225mm
7	Ground Clearance to Centre of Wheelbase	210mm
8	Height Over Cab (Without work - lights)	3350mm
9	Width	3510mm
10	Outside Spread of Fork Arms	2190mm
11	Track Front	3208mm
12	Frame Opening	2210mm
13	Load Centre Distance	1200mm
14	Overhang Front	315mm
15	Wheelbase	3635mm
16	Overhang Back	210mm
17	Length From Face of Fork	1750mm
18	Approach Angle	45°
19	Ramp Angle	14°
20	Departure Angle	45°
21	Forward Tilt	4°
22	Backward Tilt	8°
23	Minimum Outside Radius	4210mm
24	Platform Height	1200mm
25	Platform Length	2410mm
A	Capacity	14000kg
B	Unladen Weight	23000kg
C	Maximum Ground Speed	19km/h
D	Gradability	15%
E	John Deere 4045 HF Diesel	93kW
F	Electrics	12 Volt
G	Fork Section	90mm x 225mm 2400mm
H	400 / 55 – 15 Front Tyre	OD 1016mm / Width 326mm
I	465 / 55 - 20 Rear Tyre	OD 1016mm / Width 457mm
J	Standard Colour	Green & Grey
K	Suspension Seat	KAB Model 211



SIDEWARD MODE



FRONTAL MODE



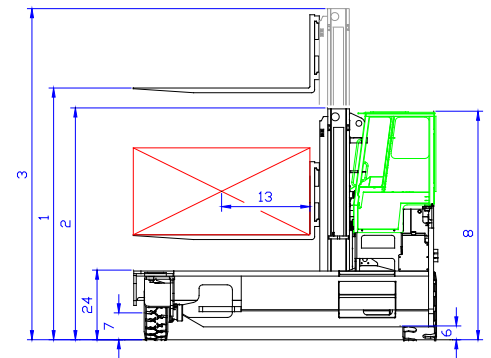
## Features include

- Rubber Mounted Cabin
- Load Sensing Steering
- 4-way lever positioning of Wheels
- Multi-Direction Operation
- 3 Wheel Hydrostatic Drive
- Hydraulic Oil Cooler

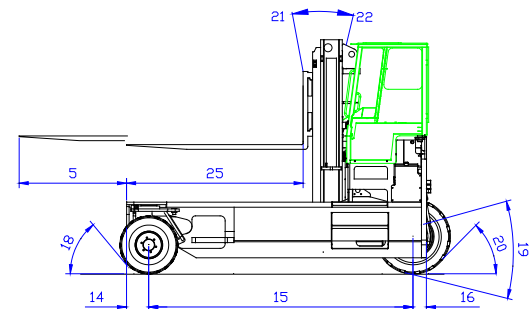
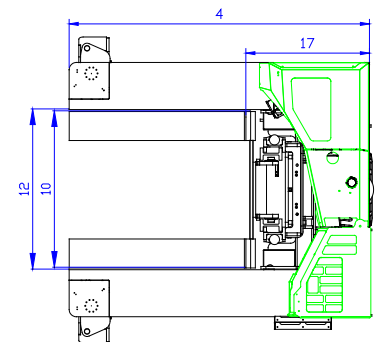


# COMBILIFT – MODEL C14000 (C14012JD) -SPECIFICATION

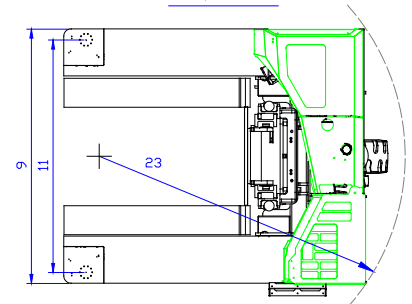
Ref.	Description	Standard
1a	Max. Lift Height	3100mm
1b	Freelift Height	0mm
2	Height Mast Closed	3390mm
3	Max. (Mast raised)	5180mm
4	Overall Length	4160mm
5	Mast Travel	2510mm
6	Ground Clearance Under Mast	225mm
7	Ground Clearance to Centre of Wheelbase	210mm
8	Height Over Cab (Without work - lights)	3350mm
9	Width	3510mm
10	Outside Spread of Fork Arms	2190mm
11	Track Front	3208mm
12	Frame Opening	2210mm
13	Load Centre Distance	1200mm
14	Overhang Front	315mm
15	Wheelbase	3635mm
16	Overhang Back	210mm
17	Length From Face of Fork	1750mm
18	Approach Angle	45°
19	Ramp Angle	14°
20	Departure Angle	45°
21	Forward Tilt	4°
22	Backward Tilt	8°
23	Minimum Outside Radius	4210mm
24	Platform Height	980mm
25	Platform Length	2410mm
A	Capacity	11500kg
B	Unladen Weight	22000kg
C	Maximum Ground Speed	19km/h
D	Gradability	15%
E	John Deere 4045 HF Diesel	93kW
F	Electrics	12 Volt
G	Fork Section	90mm x 225mm 2400mm
H	400 / 55 – 15 Front Tyre	OD 825mm / Width 326mm
I	465 / 55 - 20 Rear Tyre	OD 1016mm / Width 457mm
J	Standard Colour	Green & Grey
K	Suspension Seat	KAB Model 211



SIDEWARD MODE



FRONTAL MODE



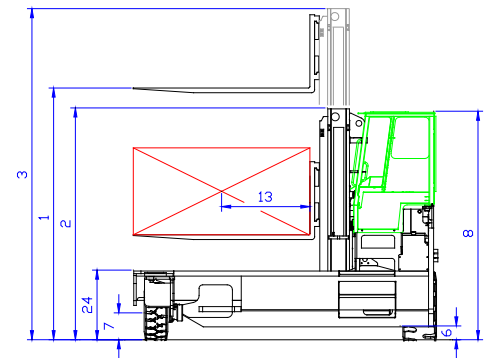
## Features include

- Rubber Mounted Cabin
- Load Sensing Steering
- 4-way lever positioning of Wheels
- Multi-Direction Operation
- 3 Wheel Hydrostatic Drive
- Hydraulic Oil Cooler

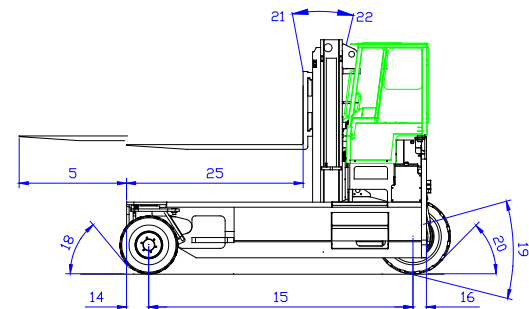
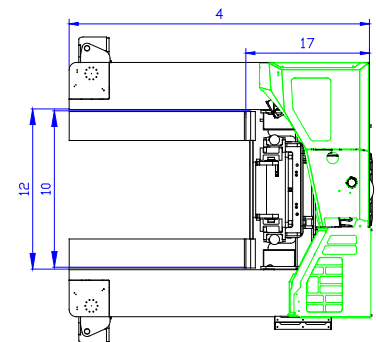


# COMBILIFT – MODEL C14000 (C16012JD) -SPECIFICATION

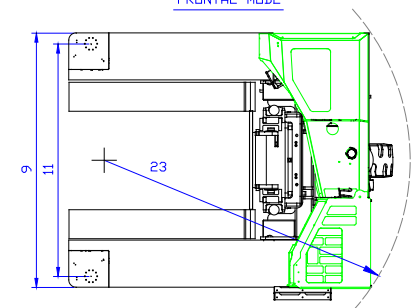
Ref.	Description	Standard
1a	Max. Lift Height	3100mm
1b	Freelift Height	0mm
2	Height Mast Closed	3390mm
3	Max. (Mast raised)	5180mm
4	Overall Length	4160mm
5	Mast Travel	2510mm
6	Ground Clearance Under Mast	225mm
7	Ground Clearance to Centre of Wheelbase	210mm
8	Height Over Cab (Without work - lights)	3350mm
9	Width	3510mm
10	Outside Spread of Fork Arms	2190mm
11	Track Front	3208mm
12	Frame Opening	2210mm
13	Load Centre Distance	1200mm
14	Overhang Front	315mm
15	Wheelbase	3635mm
16	Overhang Back	210mm
17	Length From Face of Fork	1750mm
18	Approach Angle	45°
19	Ramp Angle	14°
20	Departure Angle	45°
21	Forward Tilt	4°
22	Backward Tilt	8°
23	Minimum Outside Radius	4210mm
24	Platform Height	1200mm
25	Platform Length	2410mm
A	Capacity	16000kg
B	Unladen Weight	24000kg
C	Maximum Ground Speed	19km/h
D	Gradability	15%
E	John Deere 4045 HF Diesel	93kW
F	Electrics	12 Volt
G	Fork Section	90mm x 225mm 2400mm
H	400 / 55 – 15 Front Tyre	OD 1016mm / Width 326mm
I	465 / 55 - 20 Rear Tyre	OD 1016mm / Width 457mm
J	Standard Colour	Green & Grey
K	Suspension Seat	KAB Model 211



SIDEWARD MODE



FRONTAL MODE



## Features include

- Rubber Mounted Cabin
- Load Sensing Steering
- 4-way lever positioning of Wheels
- Multi-Direction Operation
- 3 Wheel Hydrostatic Drive
- Hydraulic Oil Cooler

