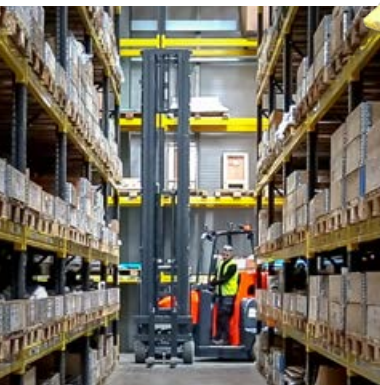


# **Aisle Master** **AME-OP**

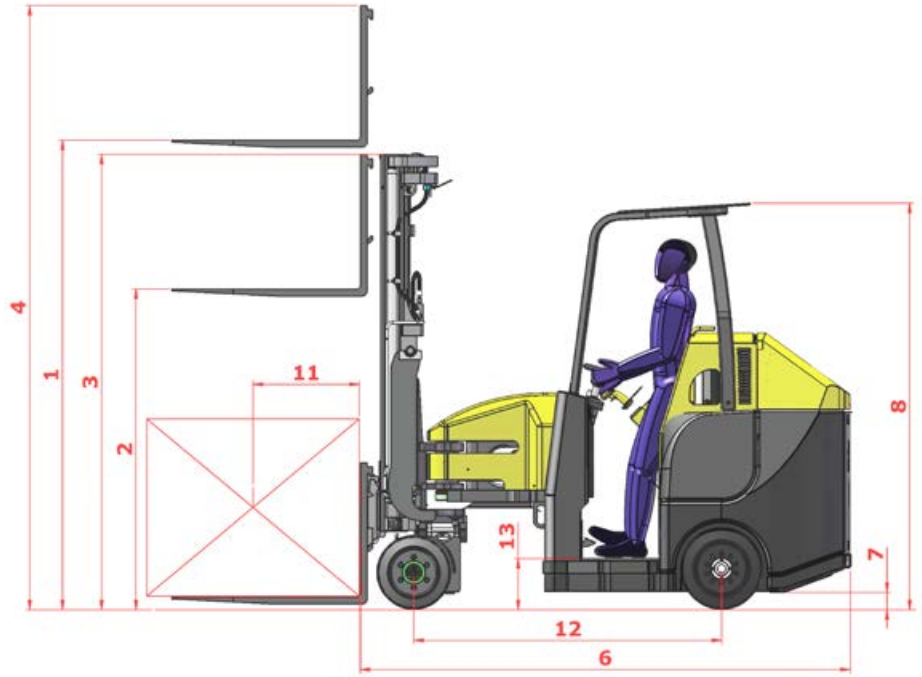
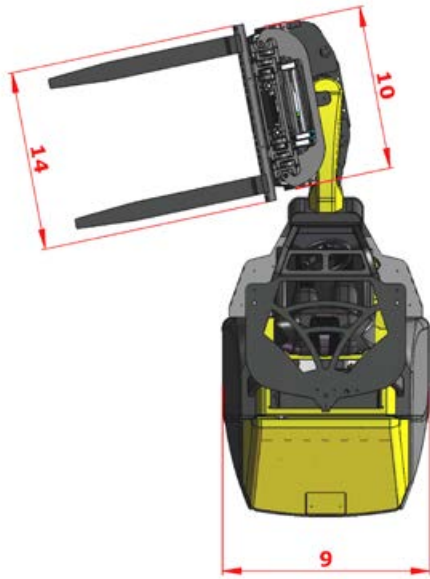
The Aisle Master - Order Picker is the perfect articulated forklift for order picking in narrow aisles and is designed for operator comfort with ease of access on both sides

# **AISLE MASTER**

**LIFTING INNOVATION**



# Aisle Master AME-OP



Ref.	Description	Metric	Imperial
1	Lift height	4300 mm	278"
2	Free Lift Height	2265 mm	96"
3	Height Mast Closed	1365 mm	131"
4	Height Mast Raised	5174 mm	312"
5	Mast Range	4300-12100 mm	169" - 476"
6	Overall length	2780 mm	109"
7	Ground Clearance	87 mm	3.5"
8	Overhead Guard Height	2286 mm	90"
9	Chassis width - rear	1400 mm	55"
10	Chassis width - front	980 mm	39"
11	Load Centre	600 mm	24"
12	Wheel Base	1733 mm	68 1/4"
13	Step Height	280mm	11"
14	Fork Carriage Width	980 mm	39"
15	Mast Tilt (Back/Fwd)	3 // 1Degrees	
16	Capacity	2000 kg	4400 lbs
17	Ground Speed	8 Km/h	5 mph
18	Lift Speed - Laden / Unladen	0.4 / 0.5 m/s	1.3 / 1.6 ft/s
19	Front tyre size	412 x 174 mm	16 1/4" x 7"
20	Rear tyre size	457 x 228	18" x 9"
21	Gradeability - Laden/Unladen	12% / 15%	12% / 15%
22	Battery Voltage/Capacity	48V / 775 / 930Ah	48V / 775 / 930Ah
23	Truck weight less battery	6165 kg	13563 lbs



## Features Include:

- AC Technology
- Joystick Traction & Mast Controls
- Entry / Exit from Both Sides
- Hydraulic Steering
- Spring Applied Parking Brake
- 205° Articulation

## Distributed by:

### Design Copyright:

Australian Design Registration No. 365713, Brazilian Design Application No. BR 30 2015 004606-6, Canadian Design Registration No. 164792, Chinese Registrations No. CN 303772056 S, European Design Registration No. 002676809-0001, Mexican Design Application No. MX/f/2015/003009, New Zealand Design Registration No. 420771, Russian Federation Design Application No. 2015503571, US Design Application No. 29/541,841

### Patent Information:

Australian Patent No. 2014280063, Brazilian Patent Application No. BR 112015031066-4, Canadian Patent Application No. 2,914,140, Chinese Patent No. 2014800337244, European Patent No. 3008008, German Patent No. 60 2008 037 695.8, Indian Patent Application No. 3471/MUMNP/2015, Mexican Patent No. 363297, New Zealand Patent No. 714545, Russian Patent No. 2647827, U.S. Patent No. 9,586,798

COMBILLIT HAS A POLICY OF CONTINUOUS PRODUCT DEVELOPMENT AND RESERVES THE RIGHT TO ALTER SPECIFICATIONS WITHOUT PRIOR NOTICE. SPECIFICATIONS AND/OR DIMENSIONS MAY VARY FROM THOSE ILLUSTRATED IN SOME COUNTRIES.

Co. Monaghan  
Ireland

+353 47 80500  
Info@aisle-master.com

**TWS**  
TARGONCA  
ALAPÍTVÁ 1990

aisle-master.com